

How to create patent drawings from photographs.

1. Take a clear photo

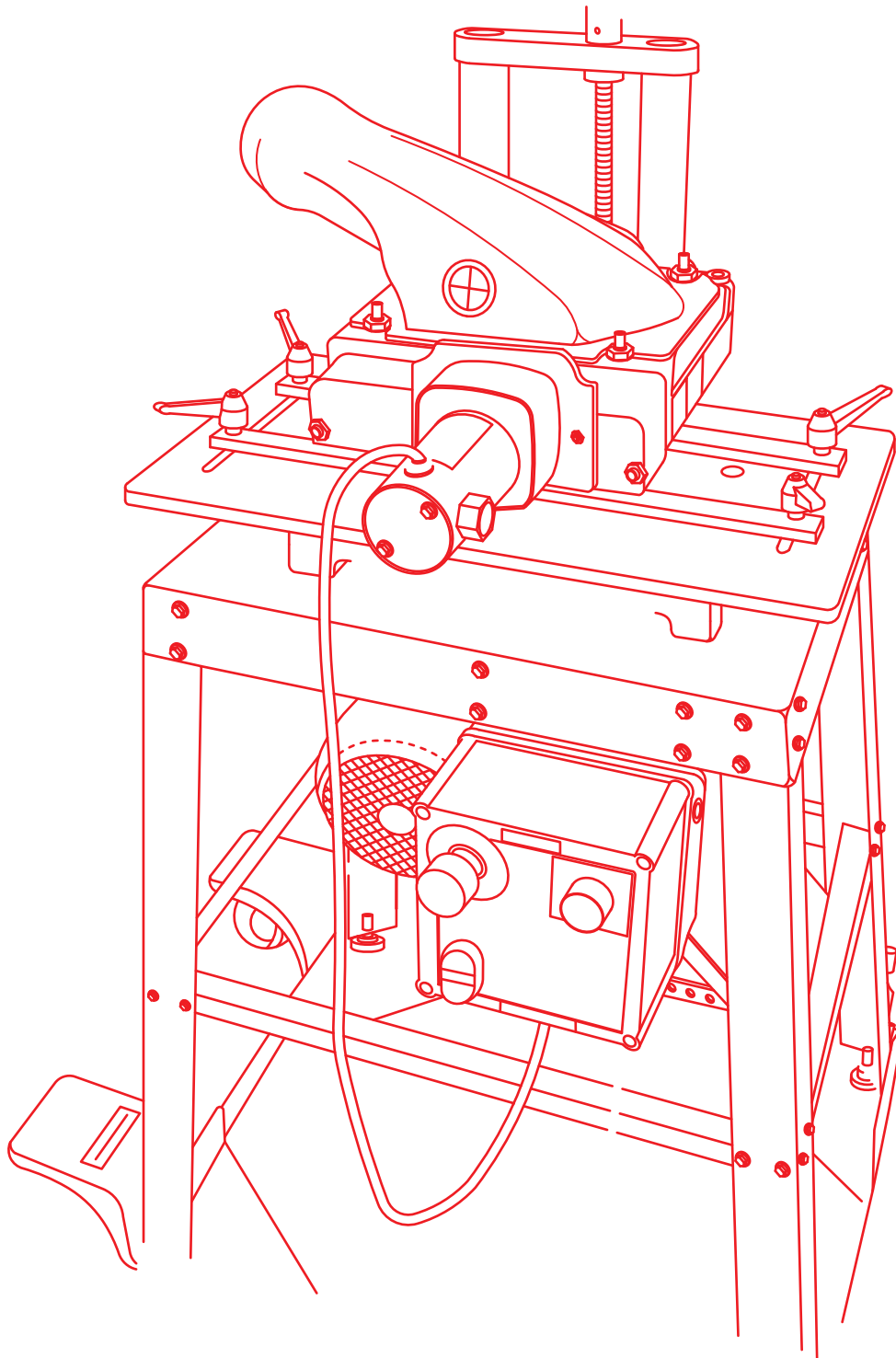
2. Insert the photo in a vector drawing program such as CorelDraw or Microsoft Visio



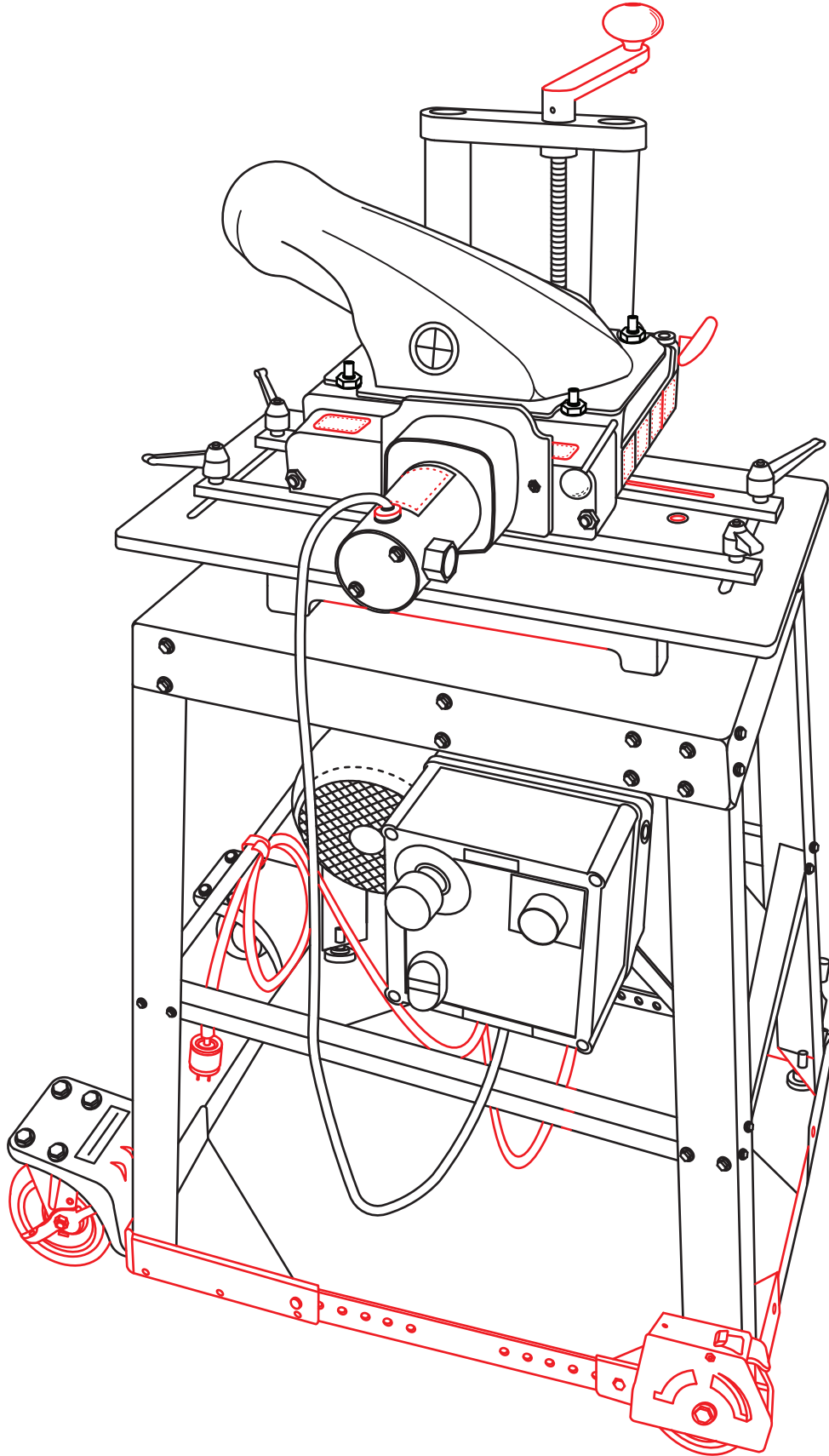
3. Trace the photograph, using a contrasting line color makes it easier to see what is done and what needs work.



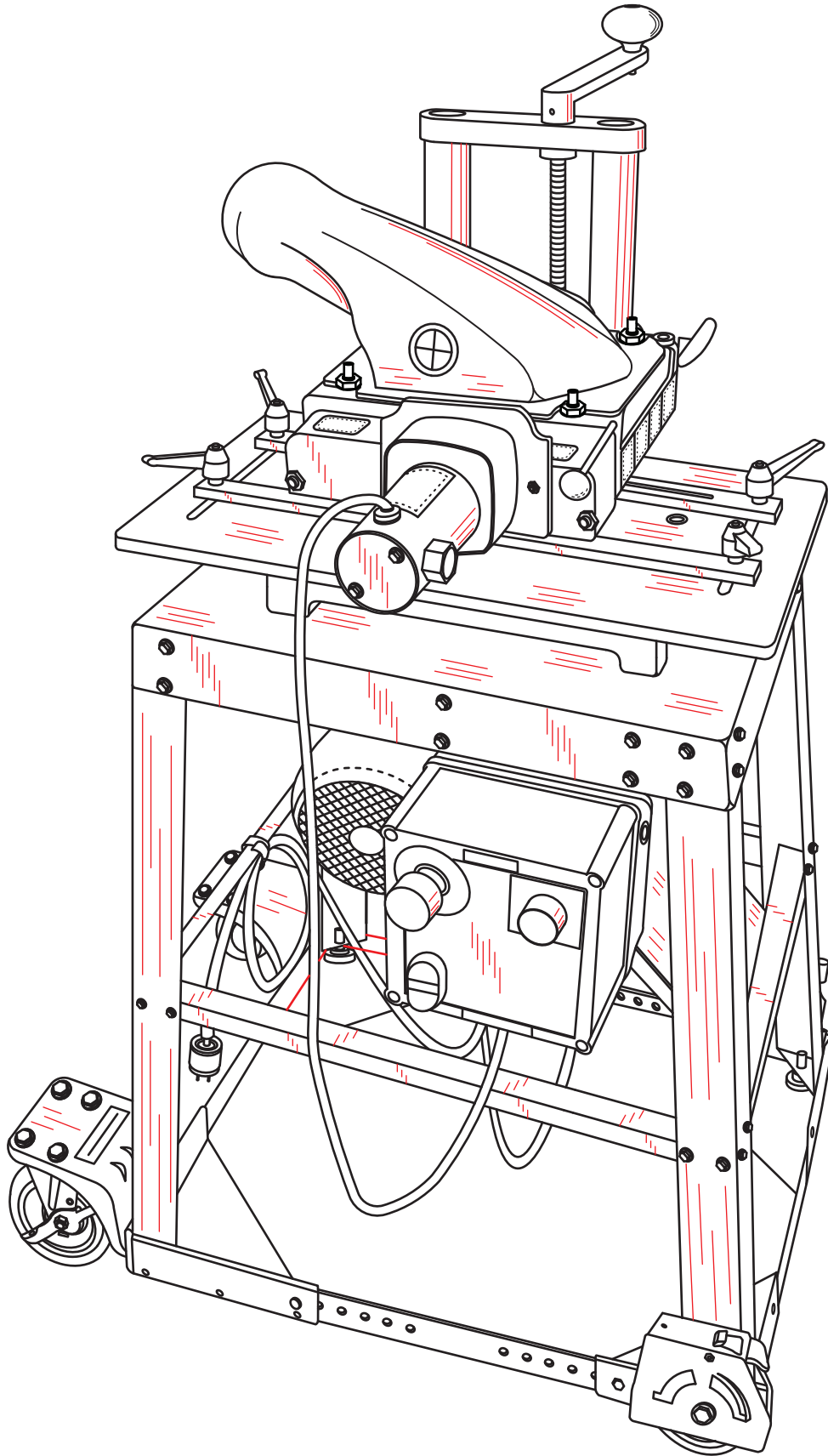
4. Hide the photograph on a separate layer,
do not delete it because you may need to refer to it later.



5. Fill in missing details; or be sure all details are in the frame when taking photos.



6. Add shading or lead lines and item numbers using 12pt font as necessary for a design or utility patent application.



7. Add sheet numbers and figure numbers using 18pt font.
8. Print the finished drawing or save it as a PDF file,
a free PDF converter is available here: www.cutepdf.com

+

1/6

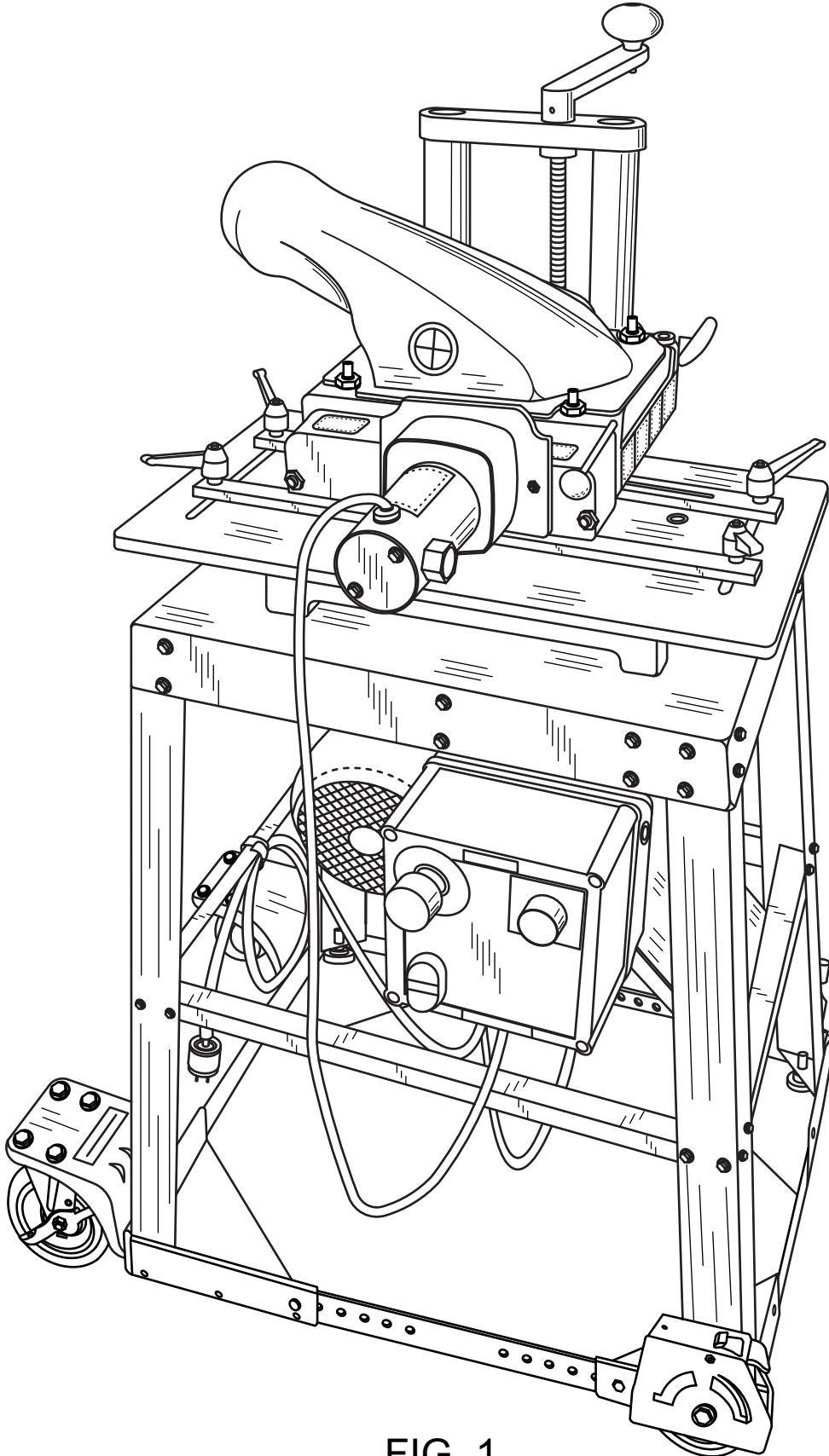


FIG. 1

+